



LATCHING TECHNOLOGY

Capable of holding in position without the constant application of electrical current. Latching technology is well suited for battery operated applications.

HIGH-SPEED TECHNOLOGY

For applications requiring extremely accurate and high-speed control of fluids, position or pressure. TLX's technology allows for response times in as little as 200 microseconds.

PROPORTIONAL TECHNOLOGY

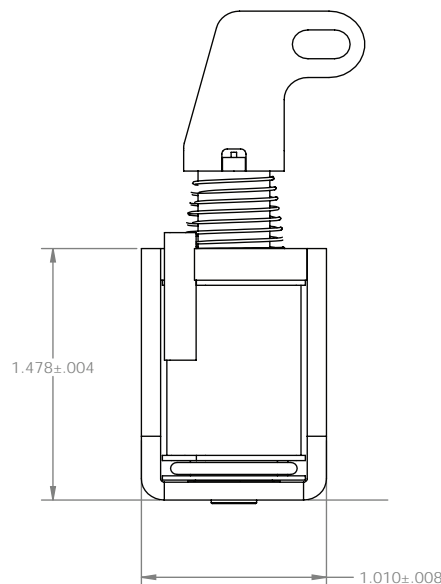
For applications requiring accurate and repeatable control, low hysteresis, and a flat force vs. stroke curve. TLX's technology allows for a smaller package size for the same force requirement.

HIGH TEMPERATURE TECHNOLOGY

For applications requiring consistent performance under extremely high operating temperatures. TLX's high temperature technology offers proven operation in ambient temperatures exceeding 500°F (260°C).

Features & Benefits

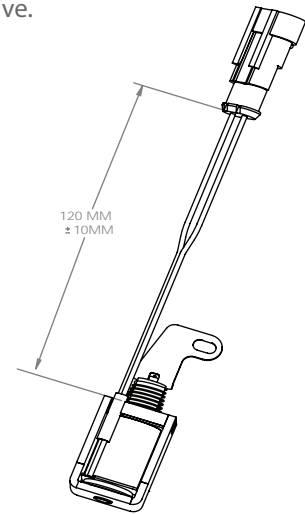
- Compact design
- Cost effective d-frame design
- Long stroke given device size
- Tolerates high shock and vibration loads
- Response time: 30 ms
- Holding force: 4.4 N
- Operating range: 12-16 Vdc
- Operating temperature range: -18°C to 105°C
- Durability: 3M cycles



Working with TLX Technologies

TLX Technologies engineers and manufactures custom solenoids, actuators and fluid control valves utilizing patented technology features that provide our customers with unique design solutions that offer them a competitive advantage.

Our strength has always been in the continued development of unique and progressive technology that provides exceptional opportunities for growth and expansion within markets utilizing electro-mechanical actuators while providing our customers with effective solutions that are energy efficient and cost competitive.



Typical Applications

- Air Intake Systems
- Machine Control
- Beverage Dispensing
- Medical Applications
- Locks/Latches