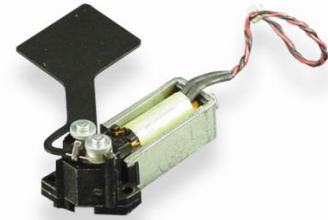


Miniature Latching Solenoid

Description:

This example of latching technology was used to calibrate small digital or infrared camera systems on front and rear facing vehicle detection devices. The solenoid flag temporarily blocks light to the lens at which time device calibration takes place. The product can be fabricated as a constant current or latching solenoid. This solenoid is in an extremely small sized package.

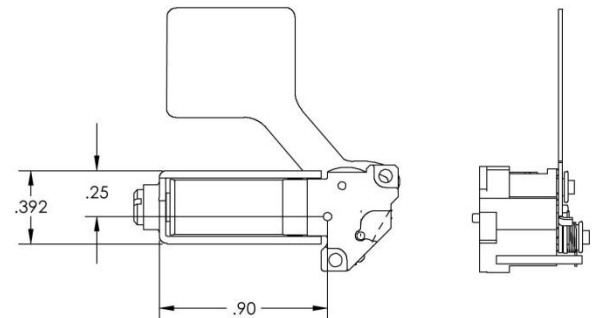
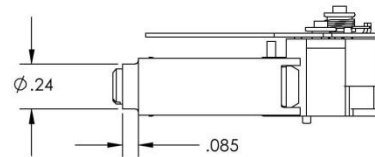


Features:

- Compact design
- Low cost
- Can be designed for specific angle requirements
- High force
- Fast response time

Possible Applications:

- Custom camera equipment
- Instrumentation
- Medical equipment
- Safety indicators



Example Specifications:

English (metric as applies)

Movement (can be designed to specification)	40°
Holding Force	3 oz (.834 N)
Response Time	<30 ms
Supply Voltage	12 Vdc
Operating Temperature Range	-40 to 140°F (-40 to 60°C)
Coil Resistance at 20°C	8.0 ± .04 Ω
Durability	>10M cycles
Duty Rating (%ED)	10% ED
Connector Type	Customer specified