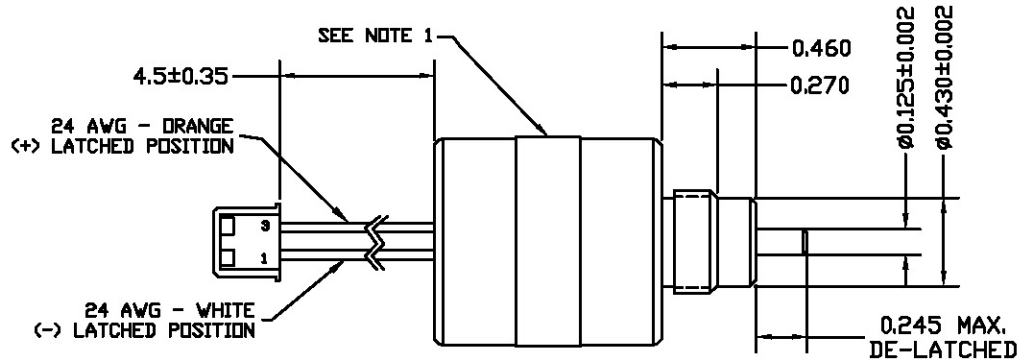
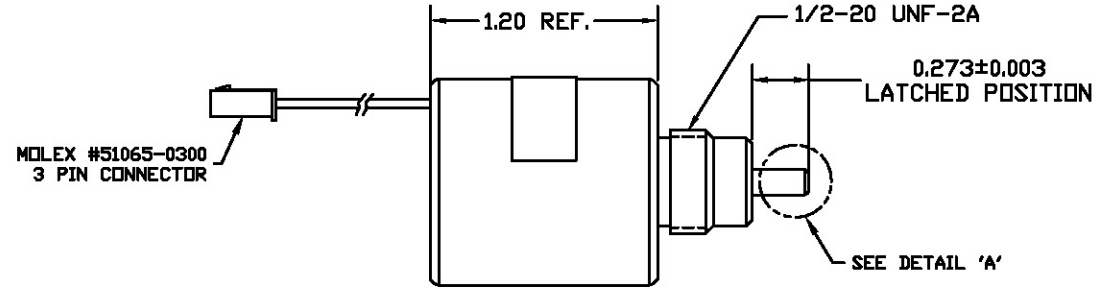
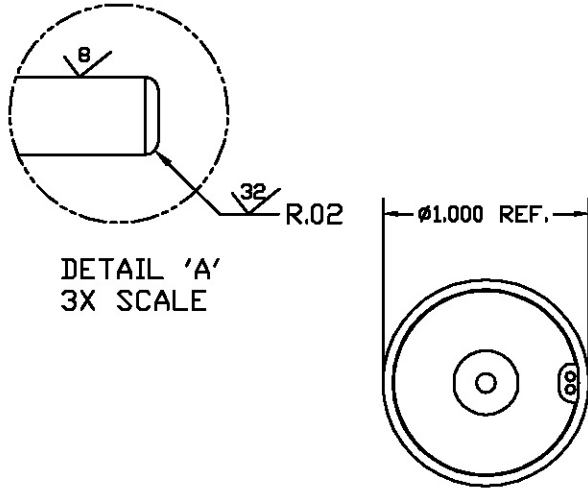


**NOTES:**

1. PLACE LABEL IN THIS APPROXIMATE POSITION LABEL TO BE PRINTED WITH CUSTOMER PART NUMBER, REVISION LEVEL AND TLX LOT CODE NUMBER.
2. PUSH PIN PLATED .0004"/.0005" 440 F S.S. HARDEN 35 TO 60 RC CASE CORE HARDNESS 50-58RC



REV.	ECR	DATE	CHANGE DESCRIPTION

PERFORMANCE SPECIFICATION	
SUPPLY VOLTAGE:	4.2-6.5 VDC
COIL RESISTANCE@20 °C:	2.8 +/-0.3 OHMS
STROKE:	0.06" +/-0.020"
SPRING LOAD: (LATCHED POSITION)	2.3 lbs min.
SPRING LOAD: (DE-LATCHED POSITION)	1.0 LBS. (REF.)
NET LATCHING FORCE:	4.75 LBS. MIN
CYCLE LIFE WITH 4-AA BATTERIES	10,000 MIN.

SPECIFICATIONS	
Material:	
Surface Treatment:	
Remove All Burrs.	
CAD File No.	

# TLX TECHNOLOGIES

STANDARD DIMENSIONAL TERMS ARE:  
DIMENSIONS IN [ ] ARE IN mm  
ANGULAR DIMENSIONS ARE ± 1°

- 1 DECIMAL POINT (.0) IS ± .020
- 2 DECIMAL POINT (.00) IS ± .010
- 3 DECIMAL POINT (.000) IS ± .005
- 4 DECIMAL POINT (.0000) IS ± .0001

G.D & T PER ANSI 14.5M  
UNLESS SPECIFIED

THIS PRINT AND THE INFORMATION THEREIN IS CONFIDENTIAL AND PROPRIETARY AND IS THE PROPERTY OF TLX Technologies. IT IS NOT TO BE COPIED OR REPRODUCED WITHOUT WRITTEN PERMISSION OF TLX Technologies.

LATCHING SOLENOID

DRG SIZE	SCALE	DO NOT SCALE FROM DRAWING
Drawn By:	Drawn Date:	Drawing Number:
Chk By:	Chk Date:	Revision: